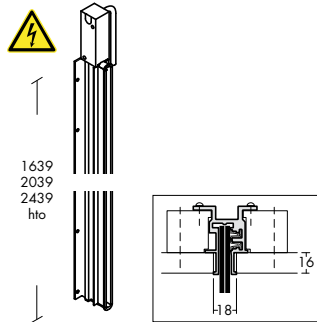
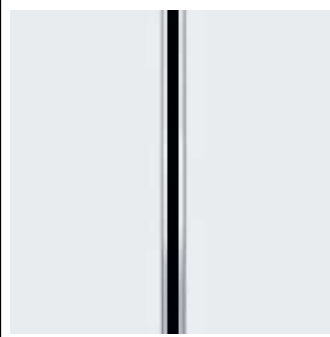


Dimensions

Characteristics

Order number

Xero 8 P profile



Slot width for 2 brackets.

Electrical profile must only be connected by authorised qualified personnel.

⚠ No alterations may be made to the Xero 8 P profile for safety reasons. Only Xero 8 P merchandise supports and accessories may be used. Do not use any other parts!

Nominal voltage = 250 V

Nominal current max. 16 A

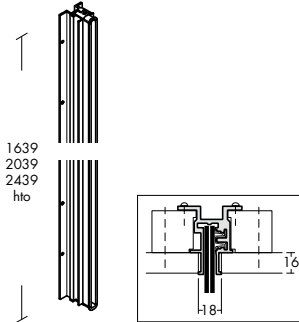
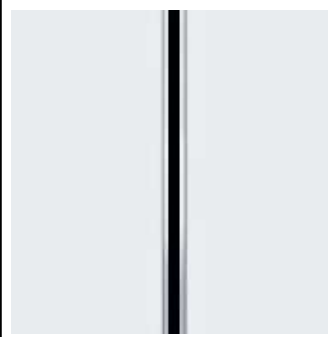
Max. weight load = 100 kg per 1000 mm

⚠ Observe the assembly and operating instruction

natural anodised aluminium	
1639 mm	○ <b>300-354.05</b>
2039 mm	○ <b>300-352.05</b>
2439 mm	○ <b>300-353.05</b>
hto 250–2439 mm	○ <b>932-278.05</b>

Incl. end caps.

Xero 8 P profile  
without electrical power



Slot width for 2 brackets.

⚠ Only Xero 8 P merchandise supports and accessories may be used. Do not use any other parts!

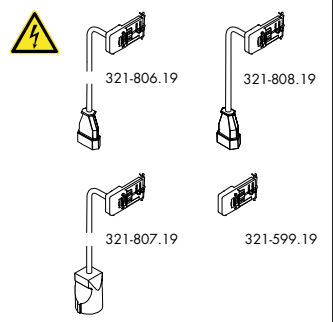
Max. weight load = 100 kg per 1000 mm

⚠ Observe the assembly and operating instruction

natural anodised aluminium	
1639 mm	○ <b>320-214.05</b>
2039 mm	○ <b>320-213.05</b>
2439 mm	○ <b>320-212.05</b>
hto 250–2439 mm	○ <b>932-282.05</b>

Incl. end caps.

Single power adapter 250 V



To be inserted into the electrical profile. The single power adapter 321-599.19 must only be connected by authorised qualified personnel.

In addition to the connection of lighting fixtures, it is also possible to connect other types of electrical equipment whose overall power consumption does not exceed 6(6) A.

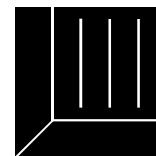
⚠ The single power adapter may only be used with the Xero 8 P or Invisible 8 P profile!

Nominal voltage = 250 V

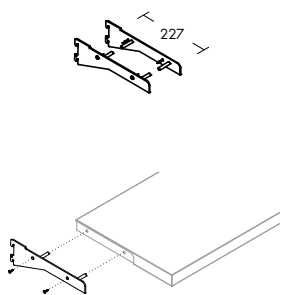
Nominal current max. 6 (6) A

⚠ Observe the assembly and operating instruction

plastic	
with Euro adapter	● <b>321-806.19</b>
with 3 pole adapter (Swiss)	● <b>321-808.19</b>
with shock-proof plug	● <b>321-807.19</b>
connection by trained personnel	● <b>321-599.19</b>



**Bracket**  
for wooden shelf



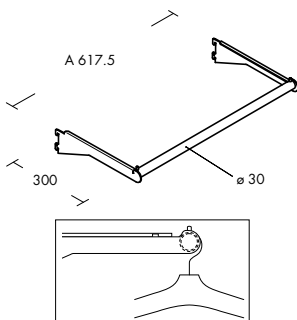
Max. weight load = 40 kg  
Max. display depth = 413 mm

📄 Drawing no.  
289-473 Wooden shelf

silver mat  **340-291.48**

Set of 2 pcs.

**Side hanging frame Ø 30 mm**

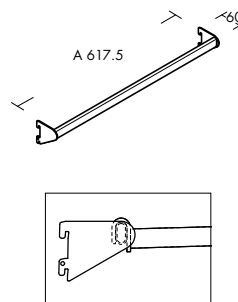
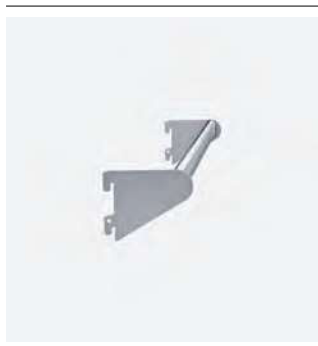


Max. weight load = 40 kg

chrome  **108-868.01**

silk  **108-868.30**

**Back bar 30 x 15 mm**



For attaching 1 - 2 front arms and an unlimited number of hooks.

Max. weight load = 40 kg

For merchandise supports such as front arms and hooks for hanging on oval bars, see Stabilo range.

chrome  **307-788.01**

silk  **307-788.30**