


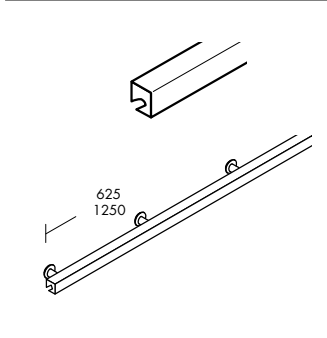
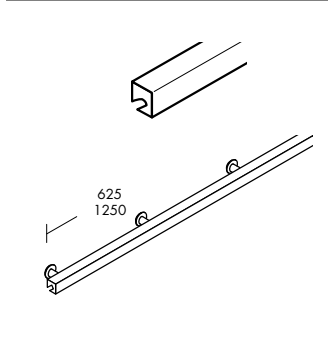
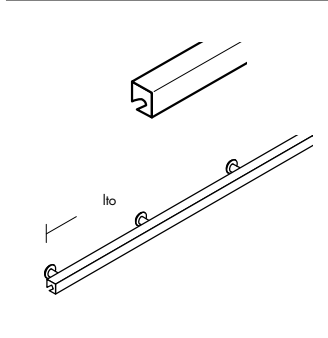
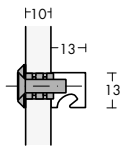


	Stripes 13 profile for glass panels	Stripes 13 profile for wooden panels	Stripes 13 profile for glass and wooden panels
			
Dimensions			
Characteristics	<p>Profile can be attached on curved walls (radius > 6 m).</p> <p>Please observe max. weight loads of merchandise supports.</p> <p>Max. weight load = 30 kg per 625 mm</p> <p>ⓘ <i>Observe the assembly and operating instruction</i></p>	<p>Profile can be attached on curved walls (radius > 6 m).</p> <p>Please observe max. weight loads of merchandise supports.</p> <p>Max. weight load = 30 kg per 625 mm</p> <p>ⓘ <i>Observe the assembly and operating instruction</i></p>	<p>The number of threaded holes is determined by the length of the profile.</p> <p>Profile can be attached on curved walls (radius > 6 m).</p> <p>Please observe max. weight loads of merchandise supports.</p> <p>Max. weight load = 30 kg per 625 mm</p> <p>ⓘ <i>Observe the assembly and operating instruction</i></p>
Order number	<p>natural anodised aluminium</p> <p>625 mm ⊙ 979-891.05</p> <p>1250 mm ⊙ 979-892.05</p> <p>Incl. fixing set.</p>	<p>natural anodised aluminium</p> <p>625 mm ⊙ 979-893.05</p> <p>1250 mm ⊙ 979-894.05</p> <p>Incl. fixing set.</p>	<p>natural anodised aluminium</p> <p>l10 250–3100 mm ⊙ 323-811.05</p> <p>Fixing set must be ordered separately.</p>



Fixing set Stripes 13 for glass panels

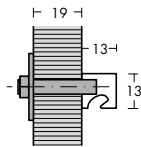
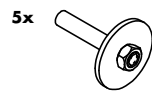


For Stripes 13 profile lto.

silver ● **979-927.05**

Set of 5 pcs.

Fixing set Stripes 13 for wooden panels

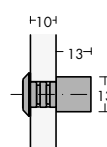
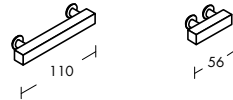


For Stripes 13 profile lto.

silver ● **979-928.05**

Set of 5 pcs.

Stripes 13 short profile for glass panels single-sided



Please observe max. weight loads of merchandise supports.

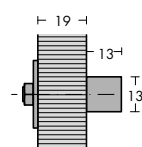
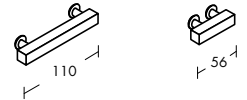
Max. weight load = 20 kg

ⓘ Observe the assembly and operating instruction

silk
56 mm ⊙ **979-898.30**
110 mm ⊙ **979-897.30**

Incl. fixing set.

Stripes 13 short profile for wooden panels single-sided



Please observe max. weight loads of merchandise supports.

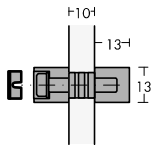
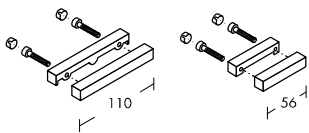
Max. weight load = 20 kg

ⓘ Observe the assembly and operating instruction

silk
56 mm ⊙ **979-896.30**
110 mm ⊙ **979-895.30**

Incl. fixing set.

Stripes 13 short profile
for glass panels, double-sided



Please observe max. weight loads of merchandise supports.

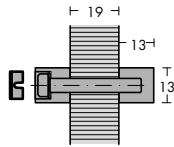
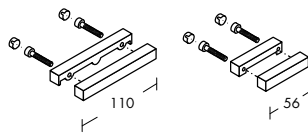
Max. weight load = 20 kg

ⓘ Observe the assembly and operating instruction

silk	
56 mm	⊙ 979-902.30
110 mm	⊙ 979-901.30

Incl. fixing set and cover caps.

Stripes 13 short profile
for wooden panels, double-sided



Please observe max. weight loads of merchandise supports.

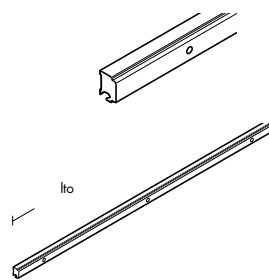
Max. weight load = 20 kg

ⓘ Observe the assembly and operating instruction

silk	
56 mm	⊙ 979-900.30
110 mm	⊙ 979-899.30

Incl. fixing set and cover caps.

Stripes 16 profile
for attachment from the front on glass and wooden panels, single or double-sided



For radius > 6 m the profile must not be precurved.

Please observe max. weight loads of merchandise supports.

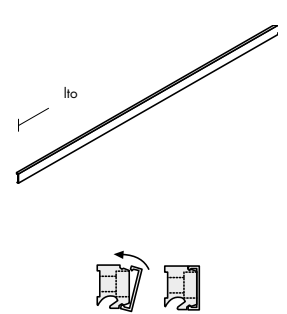
Max. weight load = 30 kg per 625 mm

ⓘ Observe the assembly and operating instruction

natural anodised aluminium	
lto 250–3100 mm	⊙ 323-812.05

Profile cover and fixing set must be ordered separately.

Profile cover
for Stripes 16 profile

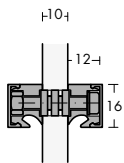


Is clipped-on once the Stripes 16 profil has been fitted.

natural anodised aluminium	
lto 250–3100 mm	⊙ 323-813.05



Fixing set Stripes 16
for glass panels, for both sides



For Stripes 16 profile Ito.

Max. weight load = 15 kg per fixing point

ⓘ Observe the assembly and operating instruction

zinc coated

● **929-187.21**

Set of 5 pcs.

4 screws are required per 400 mm of profile.

Fixing set Stripes 16
for wooden panels, attachment from the front



For Stripes 16 profile Ito.

Max. weight load = 15 kg per fixing point

ⓘ Observe the assembly and operating instruction

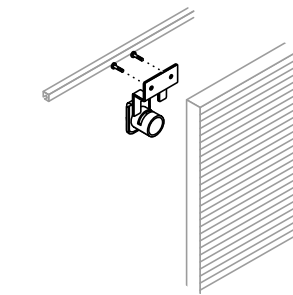
zinc coated

● **929-178.21**

Set of 5 pcs.

4 screws are required per 400 mm of profile.

Fixing set
for Stripes profiles



To be screwed to the back of wooden panels.

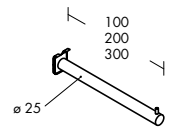
Max. weight load = 20 kg

raw chromed

● **929-321.41**

Consisting of adapter and suspension lug.

Front arm, straight Ø 25 mm



Max. weight load = 20 kg

chrome

100 mm ○ **984-101.01**

200 mm ○ **984-103.01**

300 mm ● **984-105.01**

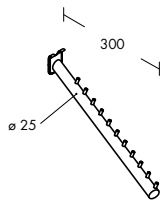
silk

100 mm ● **984-101.30**

200 mm ● **984-103.30**

300 mm ● **984-105.30**

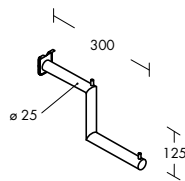
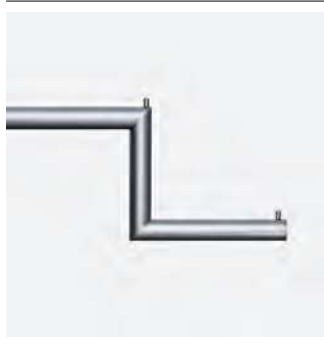
Front arm, sloping Ø 25 mm



With 11 pins.
Max. weight load = 20 kg

chrome	○	984-107.01
silk	●	984-107.30

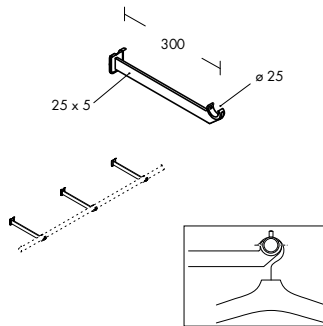
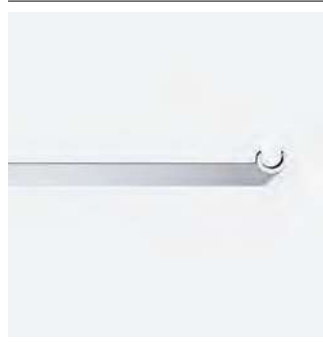
Front arm, stepped Ø 25 mm



Max. weight load = 20 kg

chrome	○	984-109.01
silk	●	984-109.30

Bracket 25 x 5 mm
for hanging rail Ø 25 mm

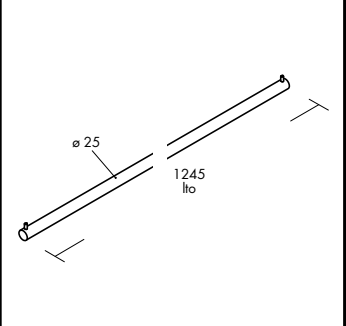


Coat-hangers can slide along the entire length of the hanging rail.
Max. weight load = 25 kg per bracket

silver mat	●	987-917.48
------------	---	-------------------

At least 2 brackets are required per hanging rail.

Hanging rail Ø 25 mm





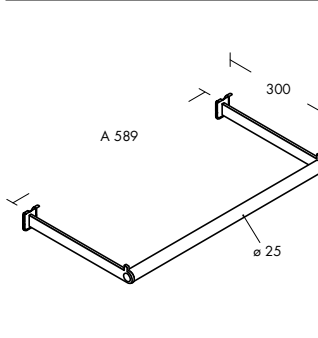
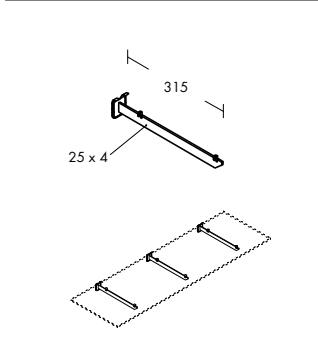
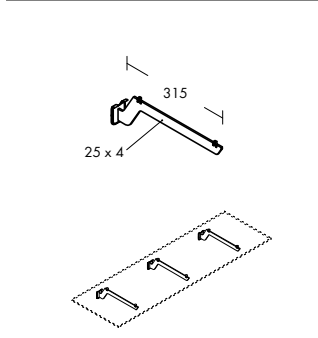
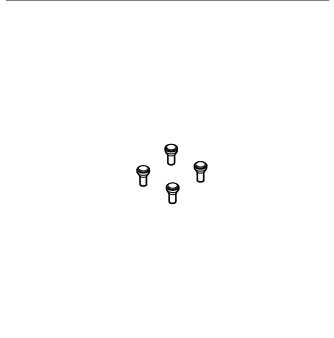


To be inserted into brackets for hanging rail.

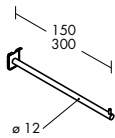
chrome	1245 mm	●	906-332.01
lto 620-2445 mm	○	906-333.01	
silk	1245 mm	●	906-332.30
lto 620-2445 mm	○	906-333.30	

-625 mm => 2 brackets
626-1245 mm => 3 brackets
1246-1800 mm => 4 brackets
1801-2445 mm => 5 brackets



Side hanging frame Ø 25 mm	Bracket 25 x 4 mm for wooden or glass shelf	Bracket 25 x 4 mm for wooden or glass shelf	Shelf support for glass shelf
			
			
<p>Max. weight load = 30 kg</p>	<p>Max. weight load = 20 kg per bracket Max. display depth = 380 mm</p> <ul style="list-style-type: none"> ☑ Drawing no. 286-620 Glass shelf 8 mm ☑ Drawing no. 980-299 Wooden shelf 	<p>For use with hanging frame. Max. weight load = 20 kg per bracket Max. display depth = 380 mm</p> <ul style="list-style-type: none"> ☑ Drawing no. 286-620 Glass shelf 8 mm ☑ Drawing no. 980-299 Wooden shelf 	<p>Plastic. Are inserted on to pins of brackets for wooden and glass shelf, when using glass shelves.</p>
<p>silver mat / chrome ● 108-803.65</p> <p>silver mat / silk ● 108-803.69</p>	<p>silver mat ● 987-063.48</p>	<p>silver mat ● 987-048.48</p>	<p>silver ● 979-446.05</p>
	<p>At least 2 brackets are required per shelf. Shelf supports for glass shelf must be ordered separately.</p>	<p>At least 2 brackets are required per shelf. Shelf supports for glass shelf must be ordered separately.</p>	<p>Set of 4 pcs.</p>

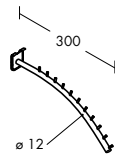
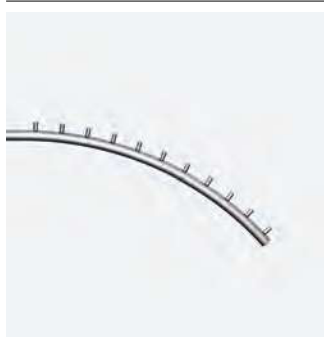
Front arm, straight Ø 12 mm



Max. weight load = 10 kg

silk	
150 mm	● 984-111.30
300 mm	● 984-113.30

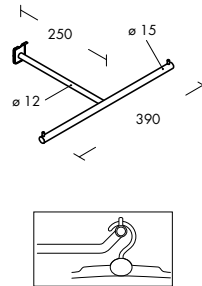
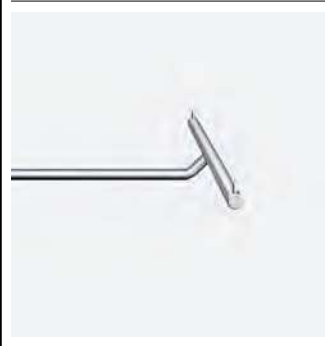
Front arm, curved Ø 12 mm



With 11 pins.
Max. weight load = 10 kg

silk	
	● 984-115.30

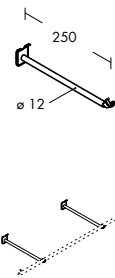
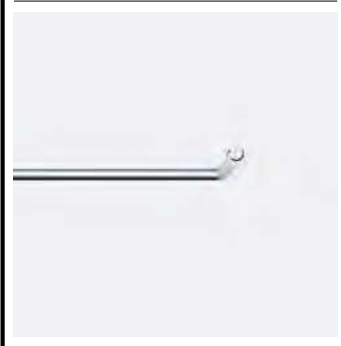
Hanging rail Ø 15 mm, 390 mm
T arm



Max. weight load = 10 kg

silk	
	○ 987-943.30

Bracket Ø 12 mm
for hanging rail Ø 15 mm

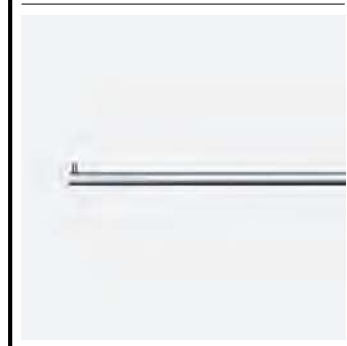
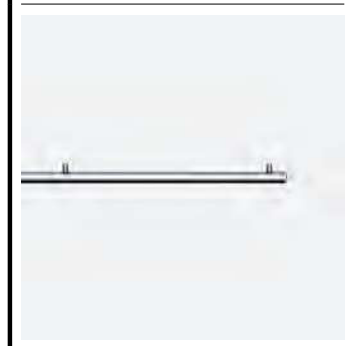


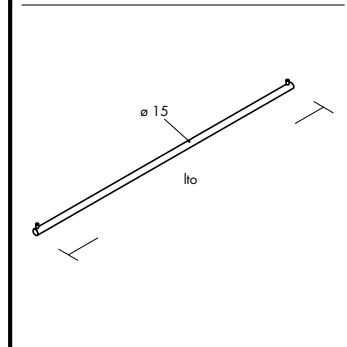
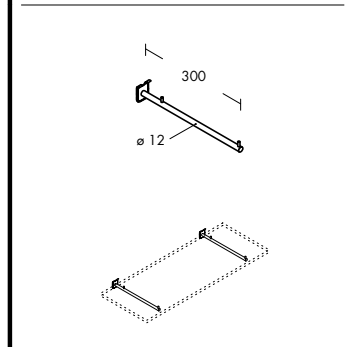
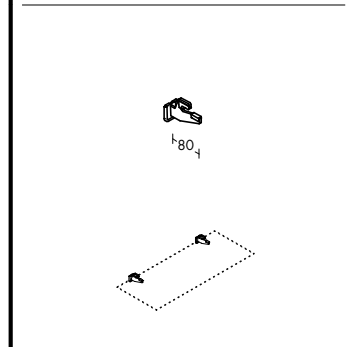
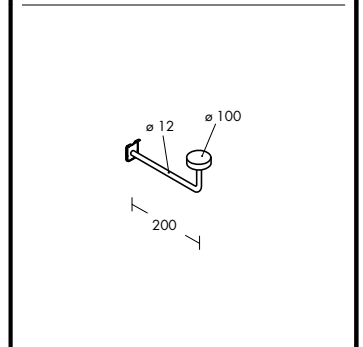




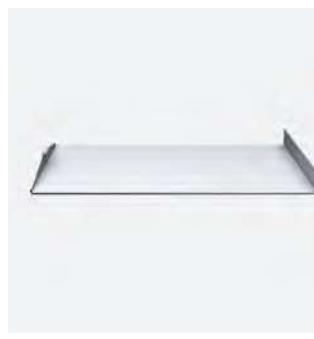

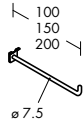
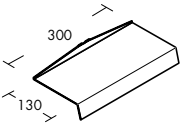
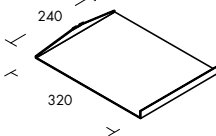
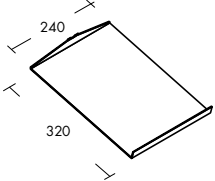
Coat-hangers can slide along the entire length of the hanging rail.
Max. weight load = 10 kg per bracket

silk	
	● 987-936.30

At least 2 brackets are required per hanging rail.



Hanging rail Ø 15 mm	Bracket Ø 12 mm for wooden shelf	Clamping bracket for glass shelf	Hat bar
			
			
<p>To be inserted into brackets for hanging rail.</p>	<p>Max. weight load = 10 kg per bracket Max. display depth = 320 mm</p> <p>📄 Drawing no. 286-612 Wooden shelf</p>	<p>Max. weight load = 15 kg per bracket Max. display depth = 320 mm</p> <p>📄 Drawing no. 286-613 Glass shelf 8 mm</p>	<p>Max. weight load = 3 kg</p>
<p>chrome lto 520–2445 mm ○ 906-329.01 silk lto 520–2445 mm ○ 906-329.30</p> <p>520–845 mm => 2 brackets 846–1245 mm => 3 brackets 1246–1645 mm => 4 brackets 1646–2445 mm => 5 brackets</p>	<p>silk ● 984-230.30</p> <p>At least 2 brackets are required per shelf.</p>	<p>chrome ● 340-984.01 silk ● 340-984.30</p> <p>At least 2 brackets are required per shelf.</p>	<p>silk ○ 984-119.30</p>

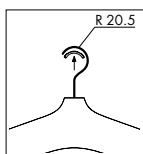
Hook straight Ø 7.5 mm	Shoe shelf for one shoe	Shoe shelf for one pair of shoes	Shoe shelf, 15° angle for one pair of shoes																		
																					
																					
<p>Max. weight load = 3 kg</p>	<p>Max. weight load = 2 kg</p>	<p>Max. weight load = 2 kg</p>	<p>Max. weight load = 2 kg</p>																		
<p>silk</p> <table border="1"> <tr> <td>100 mm</td> <td>●</td> <td>397-110.30</td> </tr> <tr> <td>150 mm</td> <td>●</td> <td>397-111.30</td> </tr> <tr> <td>200 mm</td> <td>●</td> <td>397-112.30</td> </tr> </table> <p>Safety fixing device (929-158.05), set of 10 pcs., can be ordered separately.</p>	100 mm	●	397-110.30	150 mm	●	397-111.30	200 mm	●	397-112.30	<p>silver mat</p> <table border="1"> <tr> <td></td> <td>●</td> <td>375-157.48</td> </tr> </table>		●	375-157.48	<p>silver mat</p> <table border="1"> <tr> <td></td> <td>○</td> <td>375-159.48</td> </tr> </table>		○	375-159.48	<p>silver mat</p> <table border="1"> <tr> <td></td> <td>●</td> <td>375-158.48</td> </tr> </table>		●	375-158.48
100 mm	●	397-110.30																			
150 mm	●	397-111.30																			
200 mm	●	397-112.30																			
	●	375-157.48																			
	○	375-159.48																			
	●	375-158.48																			



Scissors



100 x 



Prevents scratches on hanging rails and front arms in silk or stainless steel.

To clip into coat hanger hook (Ø 3.4–3.8 mm).

transparent

● **929-449.02**

Set of 100 pcs.