



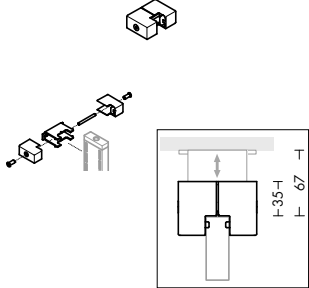
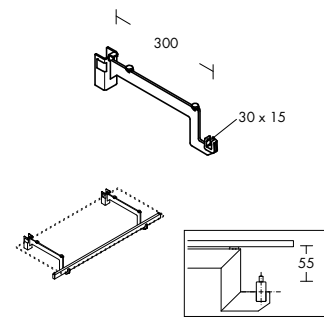


	Wall upright	End cap	Wall fixing bracket for single upright
			
Dimensions			
Characteristics	<p>Max. weight load = 100 kg per 1000 mm</p> <p>ⓘ Observe the assembly and operating instruction</p>		<p>Adjustable distance to wall 35–67 mm</p> <p>The fixtures and wall must be able to support a traction of min. 1.6 kN (160 kg) per point of fixture. The type of fixtures for the wall screw fittings must be determined by the assembly fitter according to the wall structure.</p> <p>Max. weight load = 200 kg</p>
Order number	<p>bright silver duro 2395 mm ○ 934-202.12</p> <p>black steel duro 2395 mm ○ 934-202.26</p> <p>Incl. glide. End cap must be ordered separately.</p>	<p>bright silver duro ● 983-312.12</p> <p>black steel duro ● 983-312.26</p> <p>With Area 13 sign holder socket.</p>	<p>bright silver duro ● 320-622.12</p> <p>black steel duro ○ 320-622.26</p>



Front arm, straight 30 x 15 mm	Hanging rail 30 x 15 mm, 600 mm T arm	Support bracket 25 x 4 mm for wooden or glass shelf	Bracket 30 x 5 mm for hanging rail 30 x 15 mm
<p>Max. weight load = 25 kg</p>	<p>Max. weight load = 20 kg</p>	<p>Max. weight load = 20 kg Max. display depth = 380 mm</p> <ul style="list-style-type: none"> 🔗 Drawing no. 978-388 Glass shelf 8 mm 🔗 Drawing no. 375-895 Wooden shelf 19 mm 	<p>Coat-hangers can slide along the entire length of the hanging rail. Max. weight load = 20 kg per bracket</p>
<p>bright silver duro <input type="radio"/> 362-217.12</p> <p>black steel duro <input type="radio"/> 362-217.26</p>	<p>bright silver duro <input type="radio"/> 362-218.12</p> <p>black steel duro <input type="radio"/> 362-218.26</p>	<p>bright silver duro <input type="radio"/> 362-249.12</p> <p>black steel duro <input type="radio"/> 362-249.26</p>	<p>bright silver duro <input type="radio"/> 395-984.12</p> <p>black steel duro <input checked="" type="radio"/> 395-984.26</p>
			<p>At least 2 brackets are required per hanging rail.</p>

Bracket 30 x 5 mm
for hanging rail 30 x 15 mm and
wooden or glass shelf



Coat-hangers can slide along the entire length of the hanging rail.

Max. weight load = 20 kg per bracket

Max. display depth = 380 mm

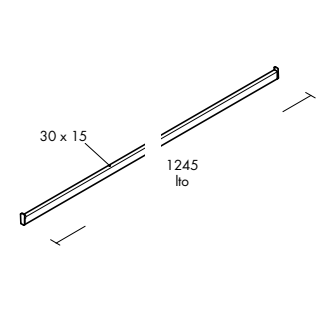
📄 Drawing no.
286-620 Glass shelf 8 mm

📄 Drawing no.
980-299 Wooden shelf

bright silver duro ● **361-685.12**
black steel duro ● **361-685.26**

At least 2 brackets are required per hanging rail and shelf.

Hanging rail 30 x 15 mm
rectangular tube

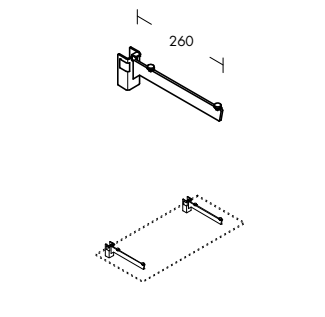


To be inserted into brackets for hanging rail.

bright silver duro
1245 mm ○ **315-756.12**
to 620–2445 mm ○ **315-758.12**
black steel duro
1245 mm ○ **315-756.26**
to 620–2445 mm ○ **315-758.26**

620–1245 mm => 2 brackets
1246–1870 mm => 3 brackets
1871–2445 mm => 4 brackets

Bracket 30 x 5 mm
for wooden or glass shelf



Max. weight load = 20 kg per bracket

Max. display depth = 380 mm

📄 Drawing no.
286-620 Glass shelf 8 mm

📄 Drawing no.
980-299 Wooden shelf

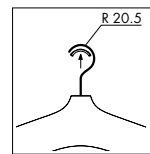
bright silver duro ● **361-686.12**
black steel duro ● **361-686.26**

At least 2 brackets are required per shelf.

Scissors



100 x



Prevents scratches on hanging rails and front arms in silk or stainless steel.

To clip into coat hanger hook (Ø 3.4–3.8 mm).

transparent ● **929-449.02**

Set of 100 pcs.