
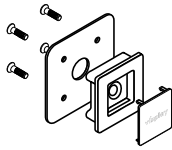

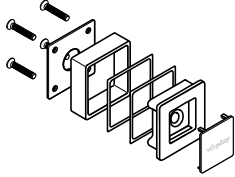

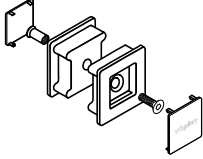
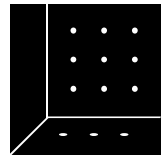
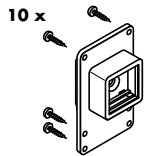


	Mono 55 holder set for wooden panels	Mono 55 holder set for glass panels	Mono 55 holder set for wooden panels, double-sided
Dimensions	  ∅ 55 mm	  ∅ 55 mm	  ∅ 55 mm
Characteristics	Max. weight load = 40 kg per holder ⓘ Observe the assembly and operating instruction	Max. weight load = 15 kg per holder ⓘ Observe the assembly and operating instruction	Max. weight load = 15 kg per holder ⓘ Observe the assembly and operating instruction
Order number	chrome ○ 915-664.01 silk ● 915-664.30 Incl. fixing set and silver cover cap.	chrome ○ 963-241.01 silk ● 963-241.30 Incl. fixing set and silver cover cap.	chrome ● 963-307.01 silk ○ 963-307.30 2 holders incl. fixing set and 2 silver cover caps.



Mono 55 Q holder set
for wooden panels



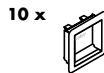
Max. weight load = 40 kg per holder
! Observe the assembly and operating instruction

zinc coated ● **929-150.00**

Set of 10 pcs with 6 screws per holder.

Set of cover caps must be ordered separately.

Cover cap set
for Mono 55 Q holder set



∇ 43 mm

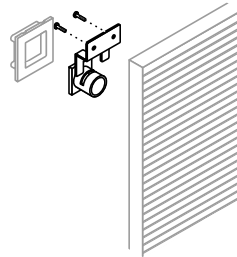
Plastic.
! Observe the assembly and operating instruction

silk ● **929-275.30**

white semi-translucent ● **929-275.13**

Set of 10 pcs.

Fixing set
for Mono 55 / Mono 55 Q holder

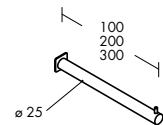


To be screwed to the back of wooden panels.
 Max. weight load = 20 kg

raw chromed ● **929-316.41**

Consisting of adapter and suspension lug.

Front arm, straight Ø 25 mm

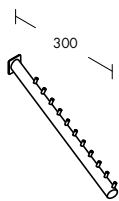


Max. weight load = 25 kg

chrome
 100 mm ● **977-353.01**
 200 mm ○ **977-354.01**
 300 mm ● **977-092.01**

silk
 100 mm ● **977-353.30**
 200 mm ○ **977-354.30**
 300 mm ● **977-092.30**

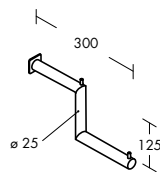
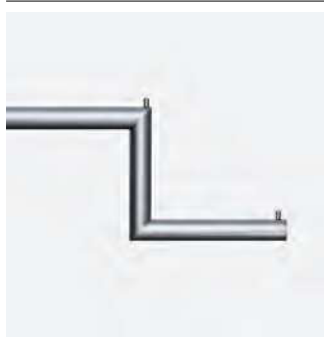
Front arm, sloping Ø 25 mm



With 11 pins.
Max. weight load = 25 kg

- chrome ● **977-066.01**
- silk ● **977-066.30**

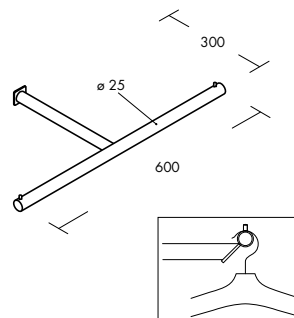
Front arm, stepped Ø 25 mm



Max. weight load = 25 kg

- chrome ● **977-068.01**
- silk ● **977-068.30**

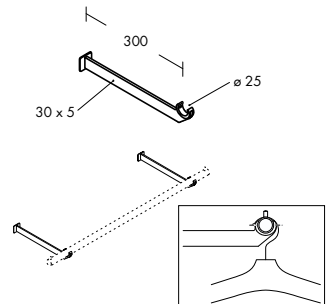
Hanging rail Ø 25 mm, 600 mm
T arm



Max. weight load = 20 kg

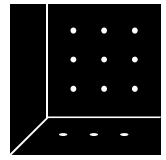
- chrome ○ **987-893.01**
- silk ● **987-893.30**

Bracket 30 x 5 mm
for hanging rail Ø 25 mm

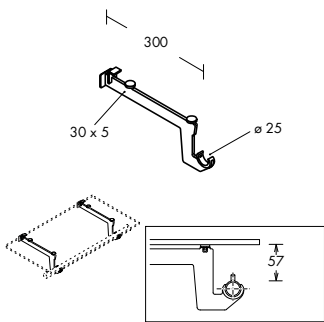


Coat-hangers can slide along the entire length of the hanging rail.
Max. weight load = 20 kg per bracket

- silver mat ● **987-919.48**
- At least 2 brackets are required per hanging rail.



Bracket 30 x 5 mm
for hanging rail Ø 25 mm and wooden
or glass shelf



Coat-hangers can slide along the entire length of the hanging rail.

Max. weight load = 20 kg per bracket

Max. display depth = 380 mm

📄 Drawing no.
286-620 Glass shelf 8 mm

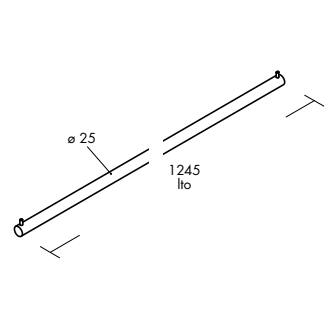
📄 Drawing no.
980-299 Wooden shelf

silver mat

● **987-905.48**

At least 2 brackets are required per hanging rail and shelf.

Hanging rail Ø 25 mm



To be inserted into brackets for hanging rail.

chrome

1245 mm ● **906-332.01**

lto 620-2445 mm ○ **906-333.01**

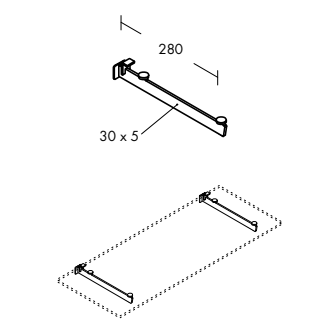
silk

1245 mm ● **906-332.30**

lto 620-2445 mm ○ **906-333.30**

620-1245 mm => 2 brackets
1246-1870 mm => 3 brackets
1871-2445 mm => 4 brackets

Bracket 30 x 5 mm
for wooden or glass shelf



Max. weight load = 20 kg per bracket

Max. display depth = 380 mm

📄 Drawing no.
286-620 Glass shelf 8 mm

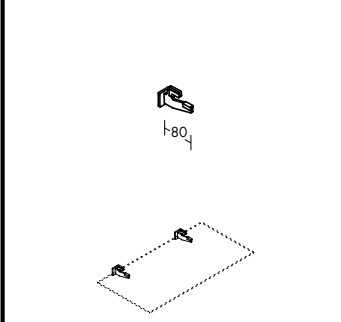
📄 Drawing no.
980-299 Wooden shelf

silver mat

● **987-909.48**

At least 2 brackets are required per shelf.

Clamping bracket
for glass shelf



Max. weight load = 15 kg per bracket

Max. display depth = 380 mm

📄 Drawing no.
286-620 Glass shelf 8 mm

chrome

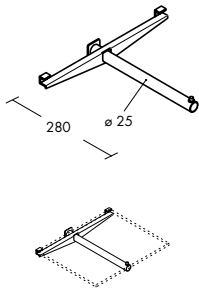
● **340-986.01**

silk

● **340-986.30**

At least 2 brackets are required per shelf.

Support bracket Ø 25 mm
for wooden or glass shelf

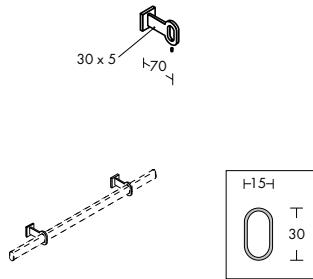
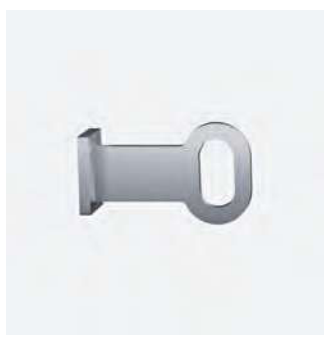


Max. weight load = 20 kg
Max. display depth = 380 mm

- 📄 Drawing no.
978-388 Glass shelf 8 mm
- 📄 Drawing no.
375-895 Wooden shelf 19 mm

silver mat ● **987-906.48**

Bracket
for hanging rail 30 x 15 mm, oval

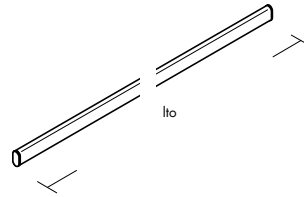
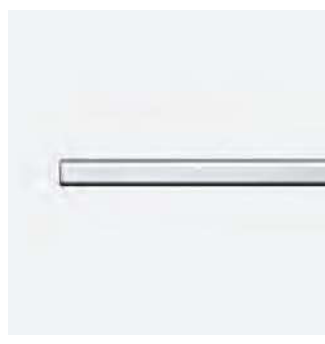


Max. weight load = 25 kg per bracket

silver mat ○ **984-721.48**

At least 2 brackets are required per hanging rail.

Hanging rail 30 x 15 mm
oval tube



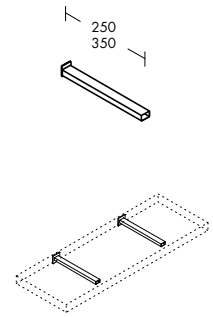
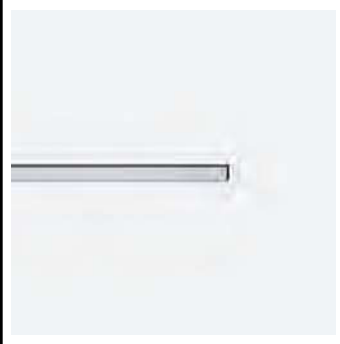
To be inserted into brackets for hanging rail 30 x 15 mm, oval.

For merchandise supports such as front arms and hooks for hanging on oval bars, see Stabilo range.

chrome
l to 620–2445 mm ⊙ **306-400.01**
silk
l to 620–2445 mm ⊙ **306-400.30**

620–1245 mm => 2 brackets
1246–1870 mm => 3 brackets
1871–2445 mm => 4 brackets

Bracket
for wooden shelf

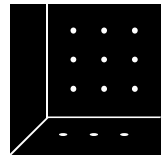


Max. weight load = 20 kg per bracket
Max. display depth = 400 mm

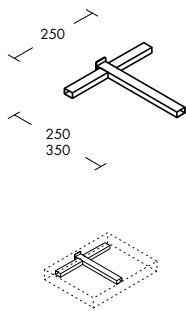
- 📄 Drawing no.
978-840 Wooden shelf 32 mm
- 📖 Observe the assembly and operating instruction

silver mat
250 mm ● **915-908.48**
350 mm ● **915-909.48**

At least 2 brackets are required per shelf.



Bracket
for wooden shelf



Max. weight load = 20 kg per bracket

Max. display depth = 400 mm

📄 Drawing no.
978-841 Wooden shelf 32 mm

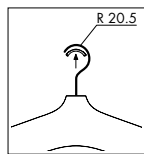
⚠️ Observe the assembly and operating instruction

silver mat	
250 mm	● 915-910.48
350 mm	○ 915-911.48

Sliss



100 x



Prevents scratches on hanging rails and front arms in silk or stainless steel.

To clip into coat hanger hook (Ø 3.4–3.8 mm).

transparent	● 929-449.02
Set of 100 pcs.	