



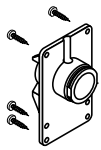
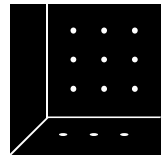


	Mono 25 holder set for wooden panels	Assembly tool	Mono 25 Q holder set for wooden panels
			
<b>Dimensions</b>	 ø 25/42		10x 
<b>Characteristics</b>	<p>Max. weight load = 40 kg per holder</p> <p>ⓘ Observe the assembly and operating instruction</p>	For assembling Mono 25 holder sets.	<p>Plastic.</p> <p>Max. weight load = 15 kg per holder</p> <p>ⓘ Observe the assembly and operating instruction</p>
<b>Order number</b>	<p>chrome ● 979-093.01</p> <p>silk ● 979-093.30</p> <p>Incl. cover cap.</p>	<p>zinc coated ● 923-016.21</p>	<p>black ● 929-542.00</p> <p>Set of 10 pcs with 6 screws per holder.</p> <p>Set of cover caps must be ordered separately.</p>



**Cover cap set**  
for Mono 25 Q holder

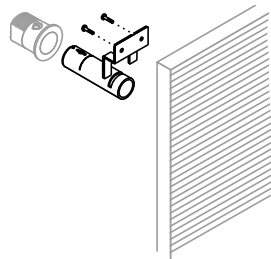


Plastic.

silk  
● **929-543.30**

Set of 10 pcs.

**Fixing set**  
for Mono 25 / Mono 25 Q holder



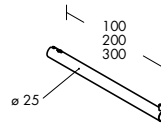
To be screwed to the back of wooden panels.

Max. weight load = 20 kg

raw chromed  
● **929-323.41**

Consisting of adapter and suspension lug.

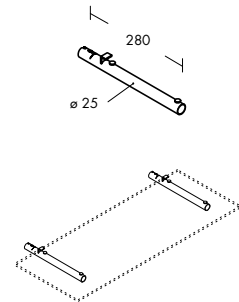
**Front arm, straight Ø 25 mm**



Max. weight load = 25 kg

chrome  
100 mm ○ **977-359.01**  
200 mm ● **977-241.01**  
300 mm ● **977-242.01**  
silk  
100 mm ● **977-359.30**  
200 mm ● **977-241.30**  
300 mm ● **977-242.30**

**Bracket Ø 25 mm**  
for wooden or glass shelf



Max. weight load = 20 kg per bracket

Max. display depth = 380 mm

📄 Drawing no.  
286-620 Glass shelf 8 mm

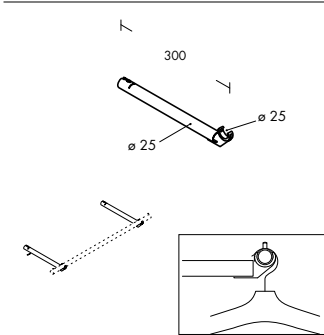
📄 Drawing no.  
980-299 Wooden shelf

chrome  
● **987-927.01**

silk  
● **987-927.30**

At least 2 brackets are required per shelf.

**Bracket**  
for hanging rail Ø 25 mm



Coat-hangers can slide along the entire length of the hanging rail.

Max. weight load = 20 kg per bracket

chrome

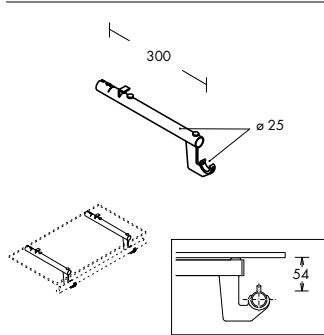
● **987-923.01**

silk

○ **987-923.30**

At least 2 brackets are required per hanging rail.

**Bracket Ø 25 mm**  
for hanging rail Ø 25 mm and wooden or glass shelf



Coat-hangers can slide along the entire length of the hanging rail.

Max. weight load = 20 kg per bracket

Max. display depth = 380 mm

● Drawing no. 286-620 Glass shelf 8 mm

● Drawing no. 980-299 Wooden shelf

chrome

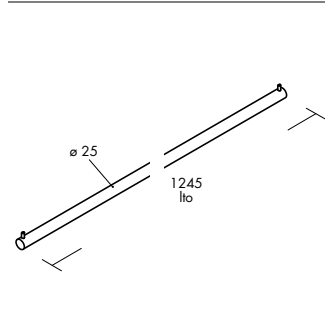
● **987-932.01**

silk

● **987-932.30**

At least 2 brackets are required per hanging rail and shelf.

**Hanging rail Ø 25 mm**



To be inserted into brackets for hanging rail.

chrome

1245 mm ● **906-332.01**

lto 620–2445 mm ⊙ **906-333.01**

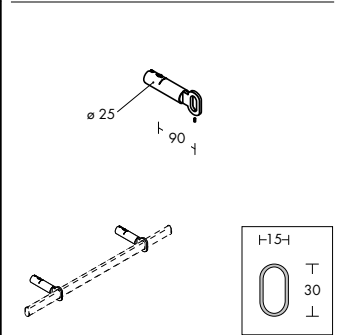
silk

1245 mm ● **906-332.30**

lto 620–2445 mm ⊙ **906-333.30**

620–1245 mm => 2 brackets  
1246–1870 mm => 3 brackets  
1871–2445 mm => 4 brackets

**Bracket**  
for hanging rail 30 x 15 mm, oval

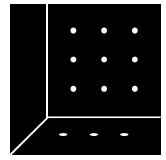


Max. weight load = 25 kg per bracket

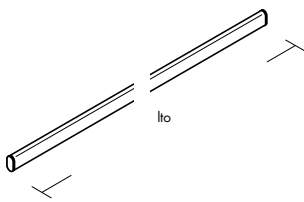
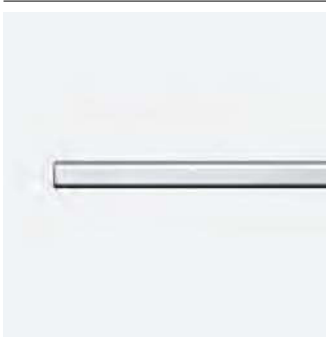
silk

● **984-723.30**

At least 2 brackets are required per hanging rail.



**Hanging rail 30 x 15 mm**  
oval tube



To be inserted into brackets for hanging rail 30 x 15 mm, oval.

For merchandise supports such as front arms and hooks for hanging on oval bars, see Stabilo range.

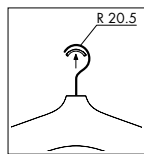
chrome  
lto 620–2445 mm ☉ **306-400.01**  
silk  
lto 620–2445 mm ☉ **306-400.30**

620–1245 mm => 2 brackets  
1246–1870 mm => 3 brackets  
1871–2445 mm => 4 brackets

**Sciss**



100 x



Prevents scratches on hanging rails and front arms in silk or stainless steel.

To clip into coat hanger hook (Ø 3.4–3.8 mm).

transparent ● **929-449.02**

Set of 100 pcs.