


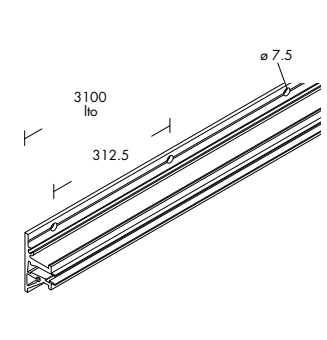
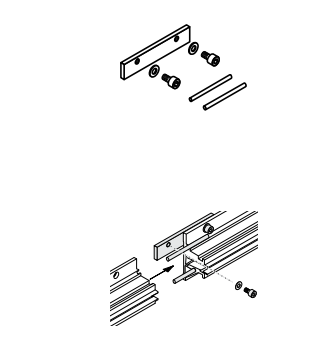
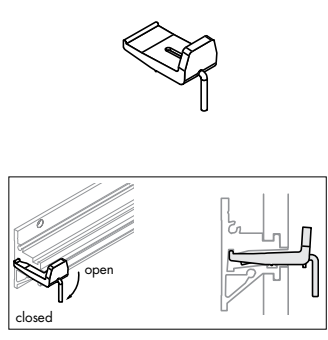
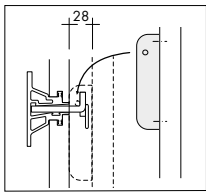
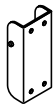


	Invisible 8 profile	Connection set	Universal bracket for Invisible 8 / Invisible 8 P profiles
			
<b>Dimensions</b>			
<b>Characteristics</b>	<p>With holes.</p> <p>Please observe max. weight loads of merchandise supports.</p> <p>Max. weight load = 40 kg per 625 mm</p> <ul style="list-style-type: none"> <li>🔧 Drawing no. 286-929 Glass shelf 8 mm To be inserted into the profile.</li> <li>🔧 Drawing no. 375-916 Glass shelf 8 mm with cutouts. To be inserted into the profile. The cutouts make it possible to insert further stepped brackets for side hanging rail.</li> <li>⚠️ Observe the assembly and operating instruction</li> </ul>	<p>For connecting 2 Invisible 8 profiles.</p> <ul style="list-style-type: none"> <li>⚠️ Observe the assembly and operating instruction</li> </ul>	<p>Is inserted into Invisible profile to support universal lug.</p> <p>Max. weight load = 20 kg per bracket</p>
<b>Order number</b>	<p>natural anodised aluminium</p> <p>3100 mm     ○     <b>334-787.05</b></p> <p>lto 250-3100 mm     ○     <b>334-788.05</b></p>	<p>raw chromed</p> <p>●     <b>929-817.41</b></p>	<p>zinc coated</p> <p>●     <b>929-862.21</b></p>



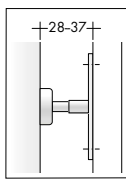
**Universal lug**  
for wooden back panel



Is fitted over universal bracket.  
Max. weight load = 20 kg per lug

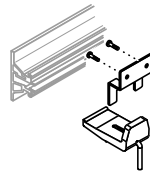
silver mat ● **944-166.48**

**Spacer**  
for wooden back panel



silver mat ● **963-452.48**

**Fixing set**  
for Invisible 8 / Invisible 8 P profiles

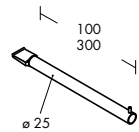
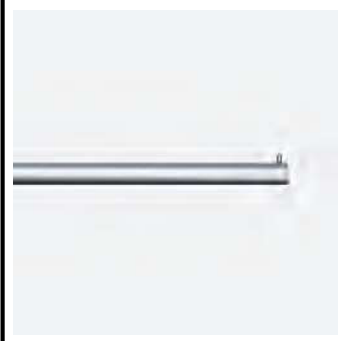


To be screwed to the back of wooden panels.  
Max. weight load = 20 kg

raw chromed ● **929-971.41**

Consisting of adapter and suspension lug.

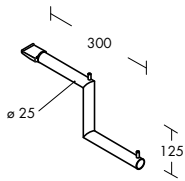
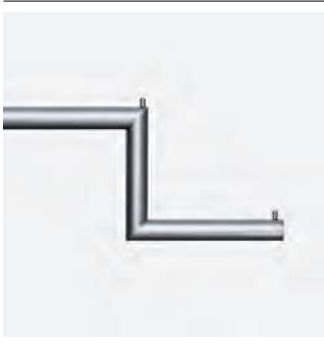
**Front arm, straight Ø 25 mm**



Max. weight load = 25 kg

chrome  
100 mm ● **984-894.01**  
300 mm ● **984-896.01**  
silk  
100 mm ● **984-894.30**  
300 mm ● **984-896.30**

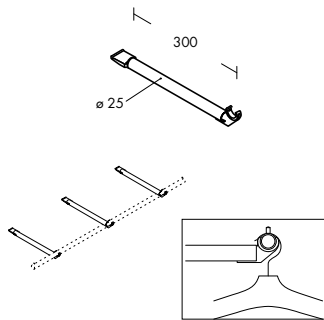
**Front arm, stepped Ø 25 mm**



Max. weight load = 25 kg

chrome	○	<b>984-897.01</b>
silk	●	<b>984-897.30</b>

**Bracket Ø 25 mm**  
for hanging rail Ø 25 mm



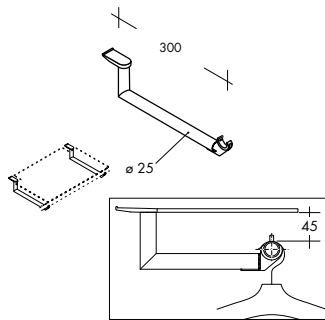
Coat-hangers can slide along the entire length of the hanging rail.

Max. weight load = 20 kg per bracket

chrome	●	<b>987-832.01</b>
silk	●	<b>987-832.30</b>

At least 2 brackets are required per hanging rail.

**Bracket Ø 25 mm**  
for hanging rail Ø 25 mm, stepped



Coat-hangers can slide along the entire length of the hanging rail.

Max. weight load = 20 kg per bracket

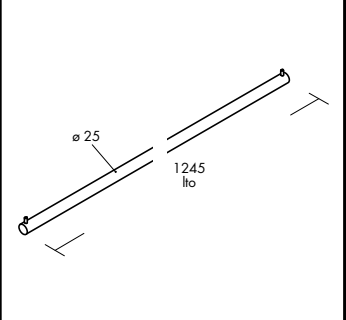
Max. display depth = 380 mm

🔗 Drawing no. 375-916 Glass shelf 8 mm with cutouts. To be inserted into the profile. The cutouts make it possible to insert further stepped brackets for side hanging rail.

chrome	●	<b>987-883.01</b>
silk	●	<b>987-883.30</b>

At least 2 brackets are required per hanging rail.

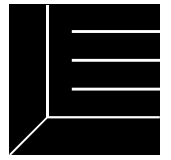
**Hanging rail Ø 25 mm**



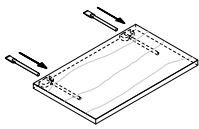
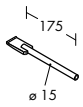
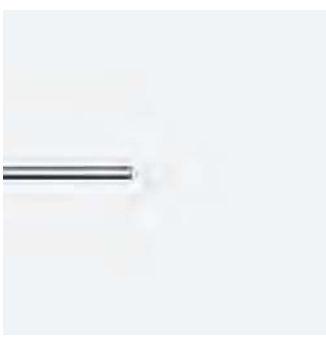
To be inserted into brackets for hanging rail.

chrome	1245 mm	●	<b>906-332.01</b>
lto	620-2445 mm	⊙	<b>906-333.01</b>
silk	1245 mm	●	<b>906-332.30</b>
lto	620-2445 mm	⊙	<b>906-333.30</b>

-625 mm => 2 brackets  
626-1245 mm => 3 brackets  
1246-1800 mm => 4 brackets  
1801-2445 mm => 5 brackets



**Bracket Ø 15 mm**  
for wooden shelf



Max. weight load = 15 kg per bracket

Max. display depth = 380 mm

📄 Drawing no.  
286-517 Wooden shelf 26 mm

⚠️ Observe the assembly and operating instruction

raw silk

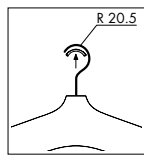
● **395-627.31**

At least 2 brackets are required per shelf.

**Sliss**



100 x



Prevents scratches on hanging rails and front arms in silk or stainless steel.

To clip into coat hanger hook (Ø 3.4–3.8 mm).

transparent

● **929-449.02**

Set of 100 pcs.