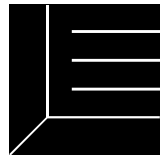



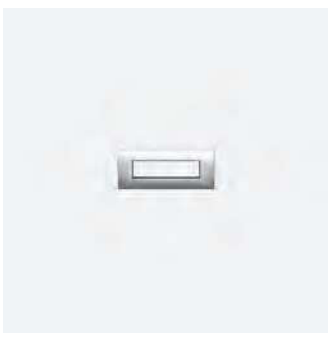
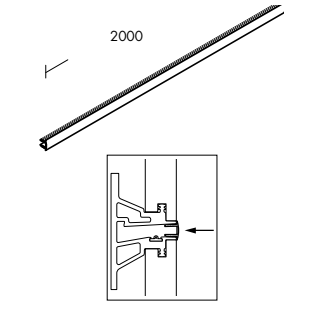
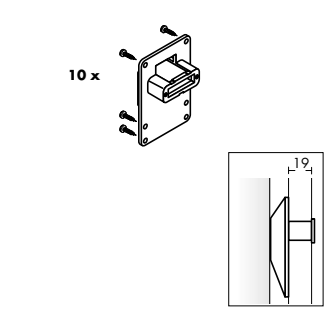
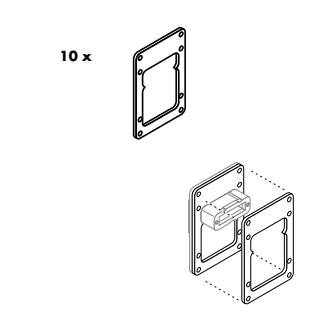
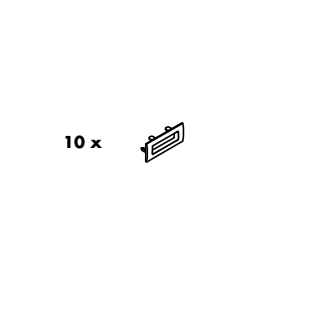
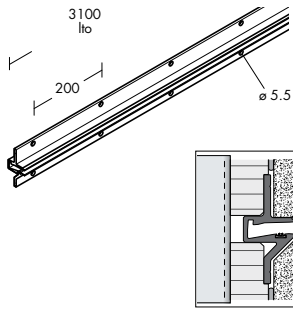


	Invisible 6 profile for wooden panels	End cap for a round profile end	Connection set																																								
Dimensions																																											
Characteristics	<p>Please observe max. weight loads of merchandise supports.</p> <p>Max. weight load = 40 kg per 625 mm</p> <ul style="list-style-type: none"> <li>📄 Drawing no. 286-617 Glass shelf 6 mm To be inserted into the profile.</li> <li>📄 Drawing no. 374-263 Glass shelf 6 mm with cutouts. To be inserted into the profile. The cutouts make it possible to insert further stepped brackets for side hanging rail.</li> <li>⚠️ Observe the assembly and operating instruction</li> </ul>	For left and right.	For connecting 2 Invisible 6 profiles.																																								
Order number	<table border="0"> <tr><td>natural anodised aluminium</td><td></td></tr> <tr><td>3100 mm</td><td></td></tr> <tr><td>with holes</td><td>⊙ <b>334-778.05</b></td></tr> <tr><td>lto 250–3100 mm</td><td></td></tr> <tr><td>with holes</td><td>⊙ <b>334-779.05</b></td></tr> <tr><td>3100 mm</td><td></td></tr> <tr><td>without holes</td><td>⊙ <b>334-780.05</b></td></tr> <tr><td>black anodised aluminium</td><td></td></tr> <tr><td>3100 mm</td><td></td></tr> <tr><td>with holes</td><td>⊙ <b>334-778.06</b></td></tr> <tr><td>lto 250–3100 mm</td><td></td></tr> <tr><td>with holes</td><td>⊙ <b>334-779.06</b></td></tr> <tr><td>3100 mm</td><td></td></tr> <tr><td>without holes</td><td>⊙ <b>334-780.06</b></td></tr> </table>	natural anodised aluminium		3100 mm		with holes	⊙ <b>334-778.05</b>	lto 250–3100 mm		with holes	⊙ <b>334-779.05</b>	3100 mm		without holes	⊙ <b>334-780.05</b>	black anodised aluminium		3100 mm		with holes	⊙ <b>334-778.06</b>	lto 250–3100 mm		with holes	⊙ <b>334-779.06</b>	3100 mm		without holes	⊙ <b>334-780.06</b>	<table border="0"> <tr><td>silver</td><td></td></tr> <tr><td></td><td>● <b>971-793.05</b></td></tr> <tr><td>black</td><td></td></tr> <tr><td></td><td>● <b>971-793.06</b></td></tr> </table> <p>Set of 2 pcs.</p>	silver			● <b>971-793.05</b>	black			● <b>971-793.06</b>	<table border="0"> <tr><td>silver mat</td><td></td></tr> <tr><td></td><td>● <b>323-045.48</b></td></tr> </table> <p>Incl. fixing set.</p>	silver mat			● <b>323-045.48</b>
natural anodised aluminium																																											
3100 mm																																											
with holes	⊙ <b>334-778.05</b>																																										
lto 250–3100 mm																																											
with holes	⊙ <b>334-779.05</b>																																										
3100 mm																																											
without holes	⊙ <b>334-780.05</b>																																										
black anodised aluminium																																											
3100 mm																																											
with holes	⊙ <b>334-778.06</b>																																										
lto 250–3100 mm																																											
with holes	⊙ <b>334-779.06</b>																																										
3100 mm																																											
without holes	⊙ <b>334-780.06</b>																																										
silver																																											
	● <b>971-793.05</b>																																										
black																																											
	● <b>971-793.06</b>																																										
silver mat																																											
	● <b>323-045.48</b>																																										



Protection profile	Invisible 6 holder set for wooden panel	Spacer for holder	Cover cap set
			
			
<p>Protects Invisible profile (for example in case that the panels get painted).</p> <p>⚠ Observe the assembly and operating instruction</p>	<p>Max. weight load = 20 kg per holder</p> <p>⚠ Observe the assembly and operating instruction</p>	<p>Spacers for holder sets are only required when holders are used in 16 mm wooden panels.</p>	<p>Plastic.</p> <p>For Invisible 6 holder set.</p> <p>⚠ Observe the assembly and operating instruction</p>
<p>white ● <b>981-045.13</b></p>	<p>zinc coated ● <b>929-177.00</b></p> <p>Set of 10 pcs including fixing set.</p> <p>Set of cover caps must be ordered separately.</p>	<p>black ● <b>929-192.06</b></p> <p>Set of 10 pcs.</p>	<p>chrome ● <b>929-176.01</b></p> <p>silk ● <b>929-176.30</b></p> <p>Set of 10 pcs.</p>

**Invisible 6 C profile**  
for panelling which cannot be machined



Covermaterial: e.g. acrylicglass, plastic, stone, mineral fibre panels, etc. Please observe manufacturers processing directions.

Please observe max. weight loads of merchandise supports.

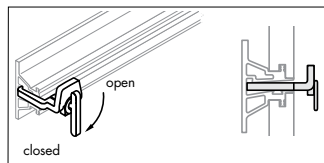
Max. weight load = 40 kg per 625 mm

- 📄 Drawing no. 286-617 Glass shelf 6 mm  
To be inserted into the profile.
- 📄 Drawing no. 374-263 Glass shelf 6 mm with cutouts.  
To be inserted into the profile. The cutouts make it possible to insert further stepped brackets for side hanging rail.

⚠️ Observe the assembly and operating instruction

natural anodised aluminium	
3100 mm with holes	○ <b>334-784.05</b>
lto 250–3100 mm with holes	○ <b>334-785.05</b>
3100 mm without holes	○ <b>334-786.05</b>

**Universal bracket**  
for Endless / Invisible 6 / Invisible 6 C / Invisible 6 P/L profiles



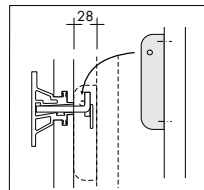
Is inserted into Invisible profile to support universal lug.

⚠️ Cannot be used in Invisible 6 holder set.

Max. weight load = 20 kg per bracket

zinc coated	
	● <b>921-389.21</b>

**Universal lug**  
for wooden back panel

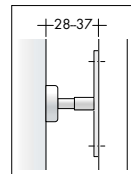


Is fitted over universal bracket.

Max. weight load = 20 kg per lug

silver mat	
	● <b>944-166.48</b>

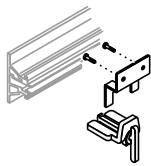
**Spacer**  
for wooden back panel



silver mat	
	● <b>963-452.48</b>



**Fixing set**  
for Endless / Invisible 6 / Invisible 6 C / Invisible 6 P/L profiles



To be screwed to the back of wooden panels.

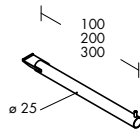
⚠ Cannot be used in Invisible 6 holder set.

Max. weight load = 20 kg

raw chromed ● **929-322.41**

Consisting of adapter and suspension lug.

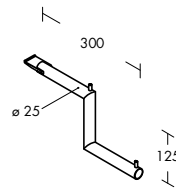
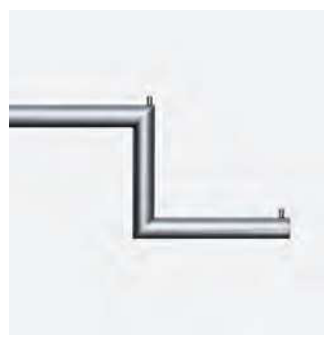
**Front arm, straight Ø 25 mm**



Max. weight load = 25 kg

chrome	
100 mm	● <b>987-326.01</b>
200 mm	● <b>987-327.01</b>
300 mm	● <b>987-328.01</b>
silk	
100 mm	● <b>987-326.30</b>
200 mm	● <b>987-327.30</b>
300 mm	● <b>987-328.30</b>

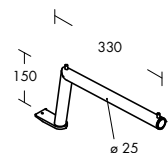
**Front arm, stepped Ø 25 mm**



Max. weight load = 25 kg

chrome	
	● <b>987-337.01</b>
silk	
	● <b>987-337.30</b>

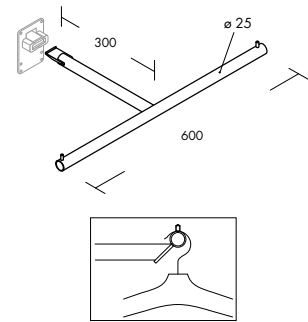
**Front arm, straight Ø 25 mm stepped upwards**



Max. weight load = 20 kg

chrome	
	● <b>371-181.01</b>
silk	
	● <b>371-181.30</b>

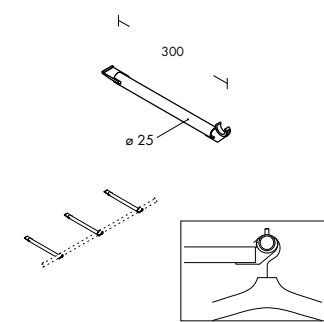
**Hanging rail Ø 25 mm, 600 mm**  
T arm



For use in Invisible 6 holder set.  
Max. weight load = 20 kg

chrome	● 987-879.01
silk	● 987-879.30

**Bracket Ø 25 mm**  
for hanging rail Ø 25 mm

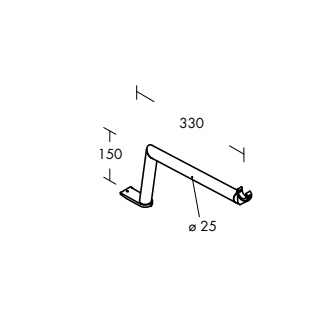


Coat-hangers can slide along the entire length of the hanging rail.  
Max. weight load = 20 kg per bracket

chrome	● 987-880.01
silk	● 987-880.30

At least 2 brackets are required per hanging rail.

**Bracket Ø 25 mm**  
for hanging rail Ø 25 mm, stepped upwards

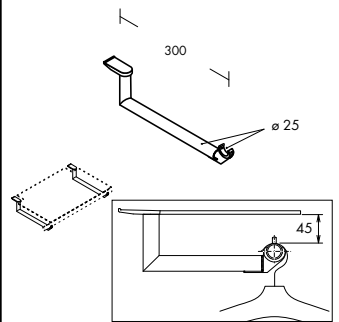


Coat-hangers can slide along the entire length of the hanging rail.  
Max. weight load = 20 kg per bracket

chrome	● 341-883.01
silk	● 341-883.30

At least 2 brackets are required per hanging rail.

**Bracket Ø 25 mm**  
for hanging rail Ø 25 mm, stepped downwards



Coat-hangers can slide along the entire length of the hanging rail.  
Max. weight load = 20 kg per bracket  
Max. display depth = 380 mm

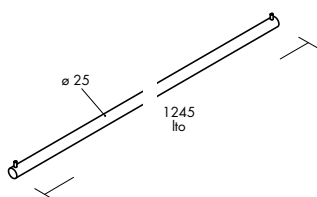
📄 Drawing no. 374-263 Glass shelf 6 mm with cutouts. To be inserted into the profile. The cutouts make it possible to insert further stepped brackets for side hanging rail.

chrome	● 987-881.01
silk	● 987-881.30

At least 2 brackets are required per hanging rail.



## Hanging rail Ø 25 mm

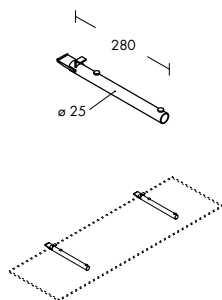


To be inserted into brackets for hanging rail.

chrome	
1245 mm	● <b>906-332.01</b>
lto 620-2445 mm	⊙ <b>906-333.01</b>
silk	
1245 mm	● <b>906-332.30</b>
lto 620-2445 mm	⊙ <b>906-333.30</b>

-625 mm => 2 brackets  
 626-1245 mm => 3 brackets  
 1246-1800 mm => 4 brackets  
 1801-2445 mm => 5 brackets

## Bracket Ø 25 mm for wooden shelf



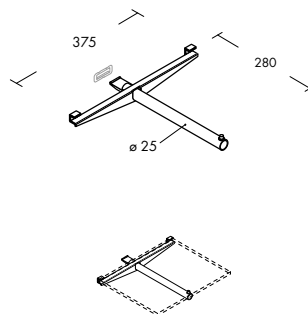
Max. weight load = 20 kg per bracket  
 Max. display depth = 380 mm

📄 Drawing no.  
980-299 Wooden shelf

chrome	● <b>987-933.01</b>
silk	● <b>987-933.30</b>

At least 2 brackets are required per shelf.

## Support bracket Ø 25 mm for wooden or glass shelf



For use in Invisible 6 holder set.

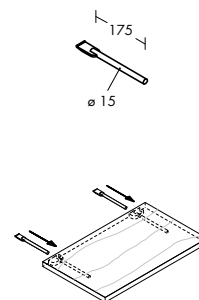
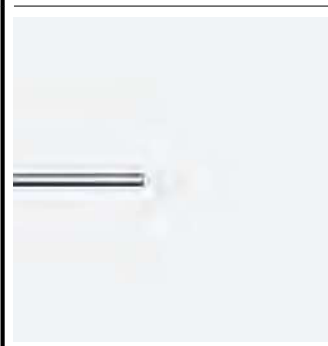
Max. weight load = 20 kg

Max. display depth = 380 mm

- 📄 Drawing no.  
978-388 Glass shelf 8 mm
- 📄 Drawing no.  
375-895 Wooden shelf 19 mm

chrome	● <b>987-903.01</b>
silk	● <b>987-903.30</b>

## Bracket Ø 15 mm for wooden shelf



Max. weight load = 15 kg per bracket  
 Max. display depth = 380 mm

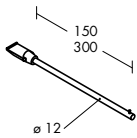
⚠ Cannot be used with electrified wooden shelves in Invisible 6 P/L.

- 📄 Drawing no.  
286-517 Wooden shelf 26 mm
- 📖 Observe the assembly and operating instruction

raw silk	● <b>987-348.31</b>
----------	---------------------

At least 2 brackets are required per shelf.

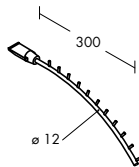
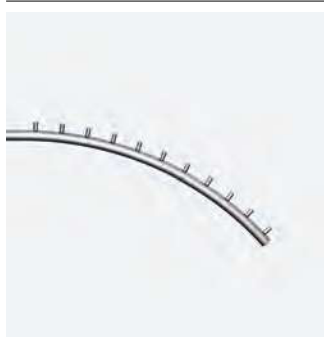
Front arm, straight Ø 12 mm



Max. weight load = 10 kg

chrome	
150 mm	● 397-029.01
300 mm	● 397-030.01
silk	
150 mm	● 397-029.30
300 mm	● 397-030.30

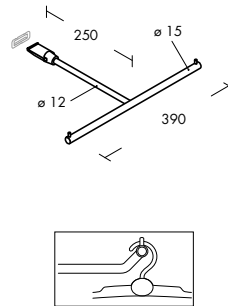
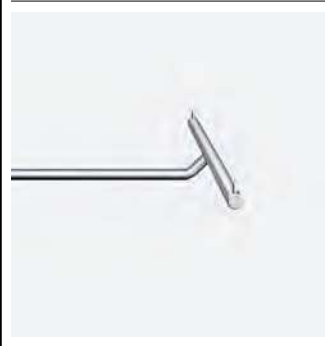
Front arm, curved Ø 12 mm



With 11 pins.  
Max. weight load = 10 kg

chrome	● 397-084.01
silk	● 397-084.30

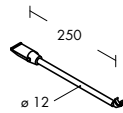
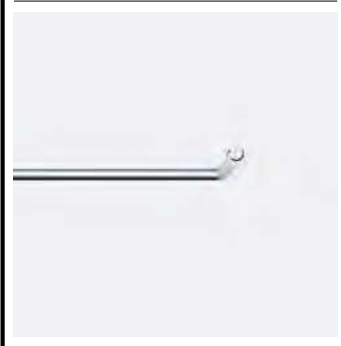
Hanging rail Ø 15 mm, 390 mm  
T arm



For use in Invisible 6 holder set.  
Max. weight load = 10 kg

chrome	○ 397-058.01
silk	● 397-058.30

Bracket Ø 12 mm  
for hanging rail Ø 15 mm





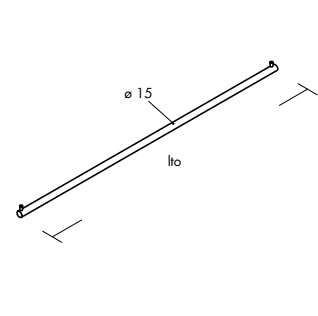
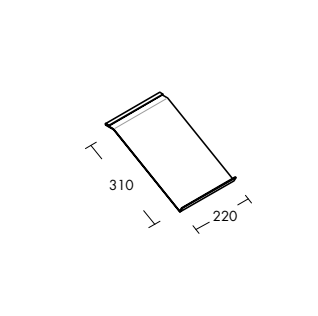
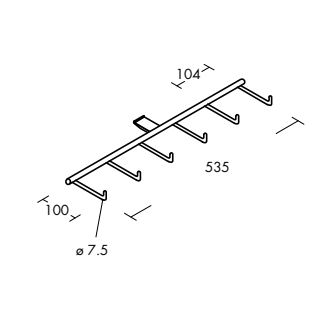
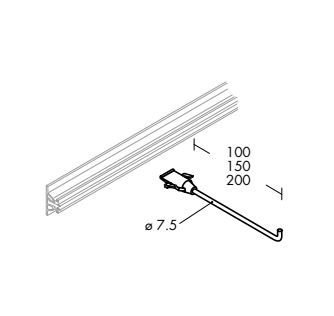


Coat-hangers can slide along the entire length of the hanging rail.  
Max. weight load = 10 kg per bracket

chrome	● 987-840.01
silk	● 987-840.30

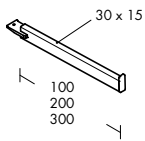
At least 2 brackets are required per hanging rail.



Hanging rail Ø 15 mm	Angled shelf 30°	Hook rail for ties, belts etc.	Hook, straight Ø 7.5 mm
			
			
<p>To be inserted into brackets for hanging rail.</p>	<p>For DIN A4 format. Max. weight load = 3 kg</p>	<p>With 6 hooks Ø 7.5 mm. Max. weight load = 10 kg</p>	<p>Holder in grey plastic. ⚠ Cannot be used in Invisible 6 holder set. Max. weight load = 2 kg</p>
<p>chrome lto 520–2445 mm ☉ <b>906-329.01</b> silk lto 520–2445 mm ☉ <b>906-329.30</b></p> <p>520–845 mm =&gt; 2 brackets 846–1245 mm =&gt; 3 brackets 1246–1645 mm =&gt; 4 brackets 1646–2445 mm =&gt; 5 brackets</p>	<p>silver mat ● <b>374-370.48</b></p>	<p>silk ● <b>919-529.30</b></p>	<p>chrome 100 mm ● <b>397-024.01</b> 150 mm ● <b>397-025.01</b> 200 mm ● <b>397-026.01</b> silk 100 mm ● <b>397-024.30</b> 150 mm ● <b>397-025.30</b> 200 mm ● <b>397-026.30</b></p>



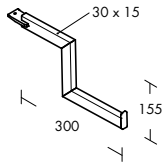
Front arm, straight 30 x 15 mm



Max. weight load = 20 kg

chrome		
100 mm	○	<b>371-552.01</b>
200 mm	○	<b>371-554.01</b>
300 mm	●	<b>371-556.01</b>
silk		
100 mm	●	<b>371-552.30</b>
200 mm	●	<b>371-554.30</b>
300 mm	●	<b>371-556.30</b>

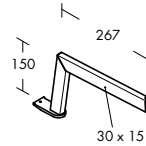
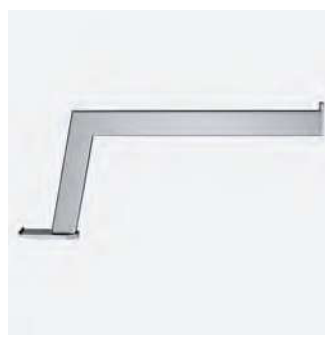
Front arm, stepped 30 x 15 mm



Max. weight load = 20 kg

chrome		
	○	<b>371-564.01</b>
silk		
	●	<b>371-564.30</b>

Front arm, straight 30 x 15 mm stepped upwards

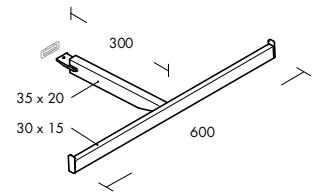


Max. weight load = 20 kg

chrome		
	○	<b>371-562.01</b>
silk		
	●	<b>371-562.30</b>

Hanging rail 30 x 15 mm, 600 mm

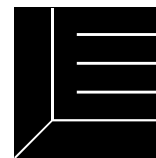
T arm



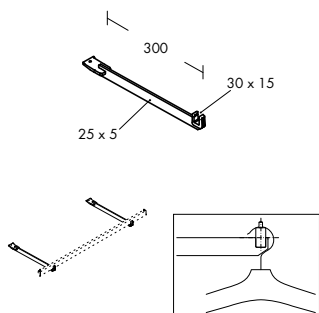
For use in Invisible 6 holder set.

Max. weight load = 20 kg

chrome		
	●	<b>371-568.01</b>
silk		
	○	<b>371-568.30</b>



**Bracket 25 x 5 mm**  
for hanging rail 30 x 15 mm



Coat-hangers can slide along the entire length of the hanging rail.

Max. weight load = 20 kg per bracket

chrome

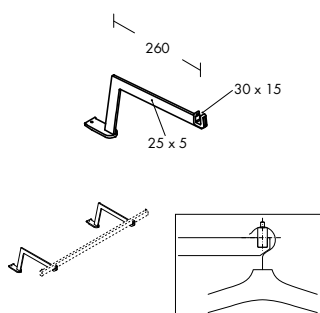
● **342-841.01**

silk

● **342-841.30**

At least 2 brackets are required per hanging rail.

**Bracket 25 x 5 mm**  
for hanging rail 30 x 15 mm, stepped upwards



Coat-hangers can slide along the entire length of the hanging rail.

Max. weight load = 20 kg per bracket

chrome

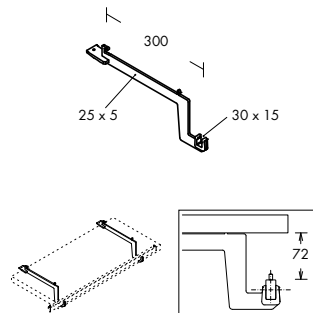
● **342-844.01**

silk

● **342-844.30**

At least 2 brackets are required per hanging rail.

**Bracket 25 x 5 mm**  
for hanging rail 30 x 15 mm and wooden shelf



Coat-hangers can slide along the entire length of the hanging rail.

Max. weight load = 20 kg per bracket

Max. display depth = 380 mm

🔗 Drawing no.  
286-619 Wooden shelf 19 mm

chrome

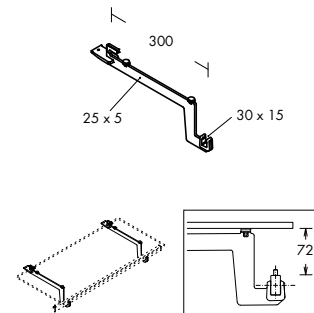
○ **342-913.01**

silk

○ **342-913.30**

At least 2 brackets are required per hanging rail and shelf.

**Bracket 25 x 5 mm**  
for hanging rail 30 x 15 mm and glass shelf



Coat-hangers can slide along the entire length of the hanging rail.

Max. weight load = 20 kg per bracket

Max. display depth = 380 mm

🔗 Drawing no.  
286-620 Glass shelf 8 mm

chrome

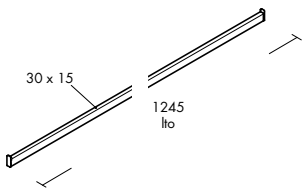
○ **371-566.01**

silk

● **371-566.30**

At least 2 brackets are required per hanging rail and shelf.

**Hanging rail 30 x 15 mm**  
rectangular tube

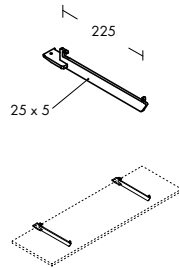


To be inserted into brackets for hanging rail.

chrome		
1245 mm	○	<b>315-756.01</b>
lto 620-2445 mm	⊙	<b>315-758.01</b>
silk		
1245 mm	●	<b>315-756.30</b>
lto 620-2445 mm	⊙	<b>315-758.30</b>

620-1245 mm => 2 brackets  
1246-1870 mm => 3 brackets  
1871-2445 mm => 4 brackets

**Bracket 25 x 5 mm**  
for wooden shelf



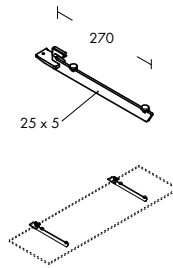
Max. weight load = 20 kg per bracket  
Max. display depth = 380 mm

🔗 Drawing no.  
286-619 Wooden shelf 19 mm

chrome		
	●	<b>342-837.01</b>
silk		
	●	<b>342-837.30</b>

At least 2 brackets are required per shelf.

**Bracket 25 x 5 mm**  
for glass shelf



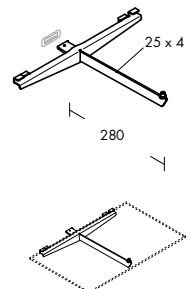
Max. weight load = 20 kg per bracket  
Max. display depth = 380 mm

🔗 Drawing no.  
286-620 Glass shelf 8 mm

chrome		
	●	<b>342-839.01</b>
silk		
	○	<b>342-839.30</b>

At least 2 brackets are required per shelf.

**Support bracket 25 x 4 mm**  
for wooden or glass shelf



For use in Invisible 6 holder set.

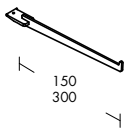
Max. weight load = 20 kg  
Max. display depth = 380 mm

🔗 Drawing no.  
978-388 Glass shelf 8 mm  
🔗 Drawing no.  
375-895 Wooden shelf 19 mm

chrome		
	●	<b>342-871.01</b>
silk		
	○	<b>342-871.30</b>



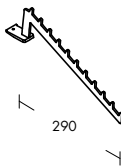
### Front arm, straight 4 mm



Max. weight load = 10 kg

chrome		
150 mm	○	<b>371-570.01</b>
300 mm	○	<b>371-572.01</b>
silk		
150 mm	○	<b>371-570.30</b>
300 mm	○	<b>371-572.30</b>

### Front arm, sloping 4 mm

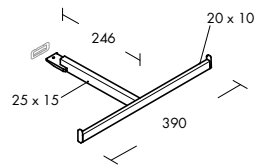


Max. weight load = 10 kg

chrome		
	○	<b>371-583.01</b>
silk		
	●	<b>371-583.30</b>

### Hanging rail 20 x 10 mm, 390 mm

T arm

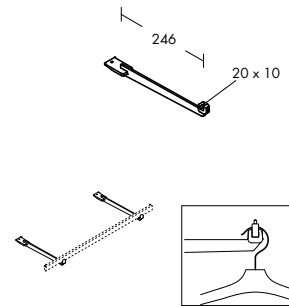


For use in Invisible 6 holder set.

Max. weight load = 10 kg

chrome		
	●	<b>371-580.01</b>
silk		
	○	<b>371-580.30</b>

### Bracket 4 mm for hanging rail 20 x 10 mm



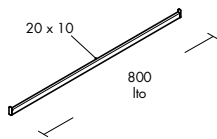
Coat-hangers can slide along the entire length of the hanging rail.

Max. weight load = 10 kg per bracket

chrome		
	●	<b>342-848.01</b>
silk		
	○	<b>342-848.30</b>

At least 2 brackets are required per hanging rail.

**Hanging rail 20 x 10 mm**  
rectangular tube

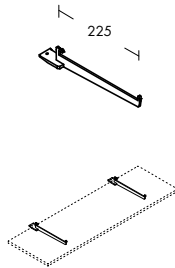


To be inserted into brackets for hanging rail.

chrome		
800 mm	○	<b>315-765.01</b>
lto 620–2445 mm	⊙	<b>315-767.01</b>
silk		
800 mm	○	<b>315-765.30</b>
lto 620–2445 mm	⊙	<b>315-767.30</b>

620–1245 mm => 2 brackets  
1246–1870 mm => 3 brackets  
1871–2445 mm => 4 brackets

**Bracket 4 mm**  
for wooden shelf



Max. weight load = 10 kg per bracket

Max. display depth = 380 mm

📄 Drawing no.  
286-619 Wooden shelf 19 mm

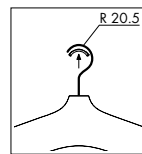
chrome	○	<b>342-852.01</b>
silk	○	<b>342-852.30</b>

At least 2 brackets are required per shelf.

**Sliss**



100 x



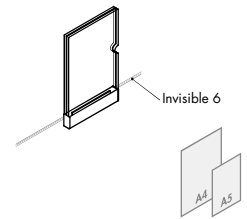
Prevents scratches on hanging rails and front arms in silk or stainless steel.

To clip into coat hanger hook (Ø 3.4–3.8 mm).

transparent	●	<b>929-449.02</b>
-------------	---	-------------------

Set of 100 pcs.

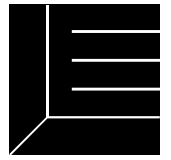
**Sign holder**  
for Invisible 6



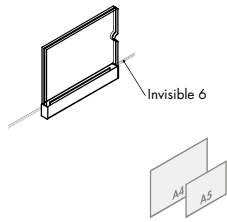
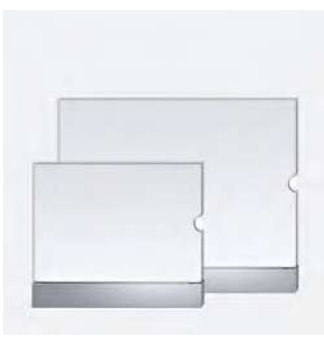
For vertical presentation.

⚠ Cannot be used in Invisible 6 holder set.

chrome		
DIN A 4	⊙	<b>308-774.01</b>
DIN A 5	⊙	<b>308-817.01</b>
bright silver mistral		
DIN A 4	⊙	<b>308-774.66</b>
DIN A 5	⊙	<b>308-817.66</b>



## Sign holder for Invisible 6

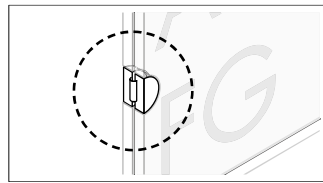


For horizontal presentation.

⚠ Cannot be used in Invisible 6 holder set.

chrome		
DIN A 5	⊙	<b>308-828.01</b>
DIN A 4	⊙	<b>308-841.01</b>
bright silver mistral		
DIN A 5	⊙	<b>308-828.66</b>
DIN A 4	⊙	<b>308-841.66</b>

## Universal magnetic holder



For positioning and securing the sign.

silver	○	<b>981-939.05</b>
--------	---	-------------------